

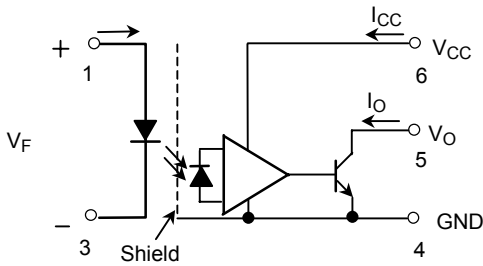
# TLP115A

High Speed, Long Distance Isolated Line Receiver  
 Microprocessor System Interfaces  
 Digital Isolation For A / D, D / A Conversion  
 Computer-Peripheral Interfaces  
 Ground Loop Elimination

The TOSHIBA mini flat coupler TLP115A is a small outline coupler, suitable for surface mount assembly. TLP115A consists of a high output power GaAlAs light emitting diode, optically coupled to an integrated high gain, high speed shielded photo detector whose output is an open collector schottky clamped transistor. The shield, which shunts capacitively coupled common noise to ground, provides a guaranteed transient immunity specification of 1000V /  $\mu$ s.

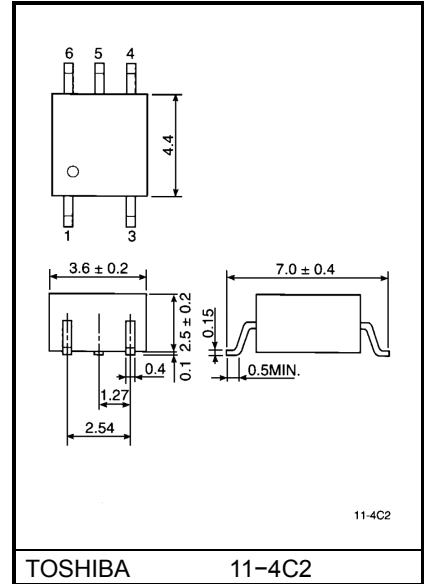
- Input current thresholds:  $I_F = 5\text{mA}$  (max.)
- Switching speed: 10MBd (typ.)
- Common mode transient immunity:  $\pm 1000\text{V} / \mu\text{s}$  (min.)
- Guaranteed performance over temp. : 0~70°C
- Isolation voltage: 2500Vrms (min.)
- UL recognized: UL1577, file no. E67349

### Schematic



Note. A 0.1 $\mu$ F bypass capacitor must be connected between pins 4 and 6.

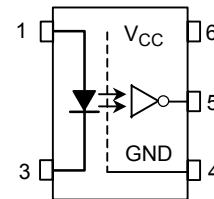
Unit in mm



TOSHIBA 11-4C2

Weight: 0.09g

### Pin Configuration (top view)



- 1 : Anode
- 3 : Cathode
- 4 : GND
- 5 : V<sub>O</sub>(Output)
- 6 : V<sub>CC</sub>

### Truth Table (positive logic)

Input	Output
H	L
L	H

## Maximum Ratings (Ta = 25°C)

Characteristic		Symbol	Rating	Unit
LED	Forward current (Note 1)	I <sub>F</sub>	20	mA
	Pulse forward current (Note 2)	I <sub>FP</sub>	40	mA
	Peak transient forward current (Note 3)	I <sub>FPT</sub>	1	A
	Reverse voltage	V <sub>R</sub>	5	V
Detector	Output current	I <sub>O</sub>	25	mA
	Output voltage	V <sub>O</sub>	7	V
	Supply voltage(1 minute maximum)	V <sub>CC</sub>	7	V
	Output power dissipation	P <sub>o</sub>	40	mW
Operating temperature range		T <sub>opr</sub>	-40~85	°C
Storage temperature range		T <sub>stg</sub>	-55~125	°C
Lead solder temperature(10 sec.)		T <sub>sol</sub>	260	°C
Isolation voltage(AC, 1 min., RH≤ 60%, Note 4)		BV <sub>S</sub>	2500	Vrms

(Note 1) Derate 0.36mA / °C above 70°C.

(Note 2) 50% duty cycle, 1ms pulse width. Derate 0.72mA / °C above 70°C.

(Note 3) Pulse width ≤ 1μs, 300pps.

## Recommended Operating Conditions

Characteristic	Symbol	Min.	Typ.	Max.	Unit
Input voltage, low level	V <sub>FL</sub>	-3	0	1.0	V
Input current, high level	I <sub>FH</sub>	6.3	8	20	mA
Supply voltage	V <sub>CC</sub>	4.5	5	5.5	V
Fan out (TTL load, each channel)	N	—	—	8	—
Operating temperature	T <sub>opr</sub>	0	—	70	°C

## Electrical Characteristics (unless otherwise specified, $T_a = 0\sim 70^\circ\text{C}$ , $V_{CC} = 4.5 \sim 5.5\text{V}$ , $V_{FL} \leq 1.0\text{V}$ )

Characteristic	Symbol	Test Condition	Min.	Typ.	Max.	Unit
Forward voltage	$V_F$	$I_F = 10\text{mA}$ , $T_a = 25^\circ\text{C}$	1.2	1.4	1.7	V
Forward voltage temperature coefficient	$V_F / T_a$	$I_F = 10\text{mA}$	—	-2	—	mV / °C
Reverse current	$I_R$	$V_R = 3\text{V}$ , $T_a = 25^\circ\text{C}$	—	—	10	$\mu\text{A}$
Capacitance between terminals	$C_T$	$V_F = 0$ , $f = 1\text{MHz}$ , $T_a = 25^\circ\text{C}$	—	30	—	pF
High level output voltage	$I_{OH}$	$V_F = 1.0$ , $V_O = 5.5\text{V}$	—	—	250	$\mu\text{A}$
		$V_F = 1.0$ , $V_O = 5.5\text{V}$ , $T_a = 25^\circ\text{C}$	—	0.5	10	
Low level output current	$V_{OL}$	$I_F = 5\text{mA}$ $I_{OL} = 13\text{mA}$ (sinking)	—	0.4	0.6	V
"H level output→L level output" input current	$I_{FH}$	$I_{OL} = 13\text{mA}$ (sinking) $V_{OL} = 0.6\text{V}$	—	—	5	mA
High level supply current	$I_{CCH}$	$V_{CC} = 5.5\text{V}$ , $I_F = 0$	—	7	15	mA
Low level supply current	$I_{CCL}$	$V_{CC} = 5.5\text{V}$ , $I_F = 10\text{mA}$	—	12	19	mA
Input-output insulation leakage current	$I_S$	$V_S = 3540\text{V}$ , $t = 5\text{s}$ $T_a = 25^\circ\text{C}$ (Note 4)	—	—	100	$\mu\text{A}$
Isolation resistance	$R_S$	R.H. $\leq 60\%$ , $V_S = 500\text{V DC}$ $T_a = 25^\circ\text{C}$ (Note 4)	$5 \times 10^{10}$	$10^{14}$	—	$\Omega$
Stray capacitance between input to output	$C_S$	$V_S = 0$ , $f = 1\text{MHz}$ $T_a = 25^\circ\text{C}$ (Note 4)	—	0.8	—	pF

\* All typical values are  $V_{CC} = 5\text{V}$ ,  $T_a = 25^\circ\text{C}$ .

Switching Characteristics ( $V_{CC} = 5V$ ,  $T_a = 25^\circ C$ )

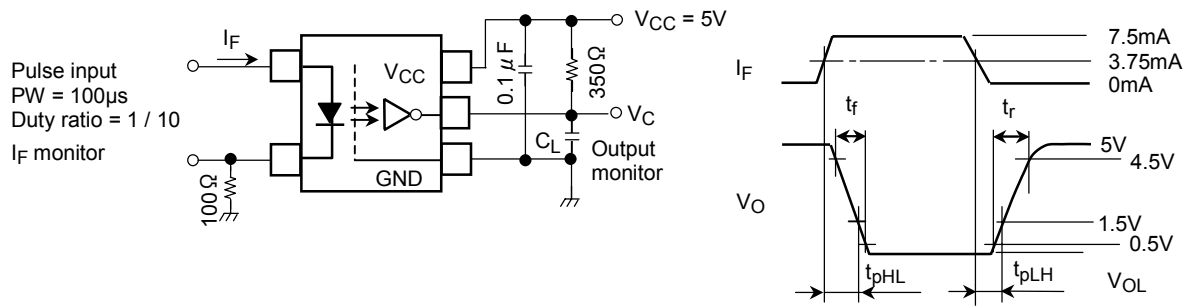
Characteristic	Symbol	Test Circuit	Test Condition	Min.	Typ.	Max.	Unit
Propagation delay time (H→L)	$t_{pHL}$	1	$I_F = 0 \rightarrow 7.5mA$ $C_L = 15pF$ , $R_L = 350\Omega$	—	60	120	ns
Propagation delay time (L→H)	$t_{pLH}$	1	$I_F = 7.5 \rightarrow 0mA$ $C_L = 15pF$ , $R_L = 350\Omega$	—	60	120	ns
Output rise fall time(10–90%)	$t_r$ , $t_f$	2	$R_L = 350$ , $C_L = 15pF$ $I_F = 0 \leftrightarrow 7.5mA$	—	30	—	ns
Common mode transient immunity at high output level	$CM_H$	2	$I_F = 0$ mA, $V_{CM} = 400V_{p-p}$ , $V_{O(MIN)}=2V$ $R_L = 350\Omega$	1000	—	—	V / $\mu s$
Common mode transient immunity at low output level	$CM_L$	2	$I_F = 7.5$ mA, $V_{CM} = 400V_{p-p}$ $V_{O(MAX)} = 0.8V$ , $R_L = 350\Omega$	-1000	—	—	V / $\mu s$

(Note 4) Device considered a two-terminal device: Pins 1 and 3 shorted together, and pins 4, 5 and 6 shorted together.

(Note 5) The  $V_{CC}$  supply voltage to each TLP115A isolator must be bypassed by 0.1 $\mu F$  capacitor. This can be either a ceramic or solid tantalum capacitor with good high frequency characteristic and should be connected as close as possible to package  $V_{CC}$  and GND pins of each device.

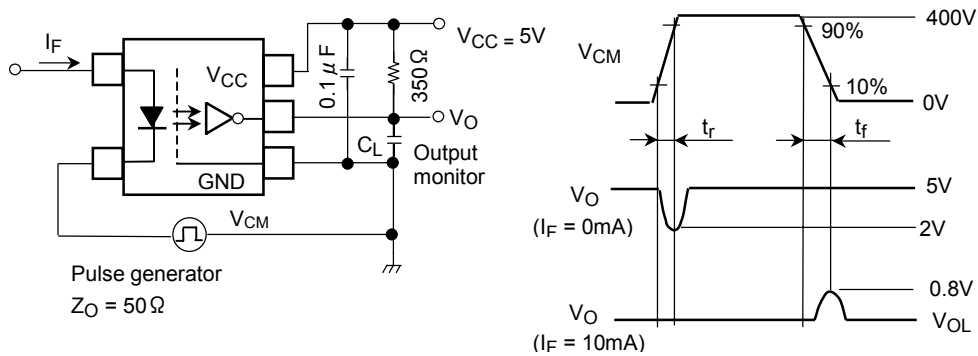
(Note 6) Maximum electrostatic discharge voltage for any pins: 180V(C = 200pF, R = 0)

**Test Circuit 1: Switching Time Test Circuit**



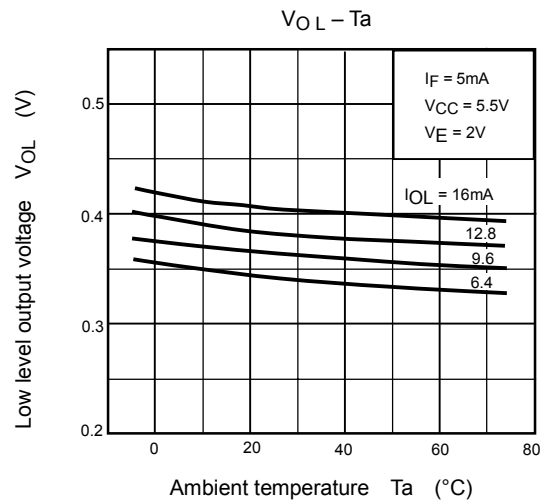
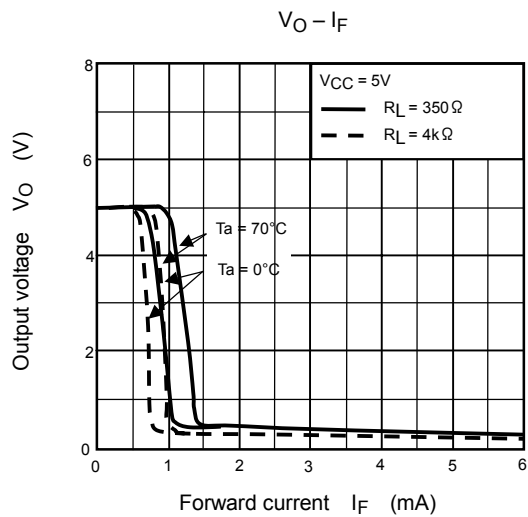
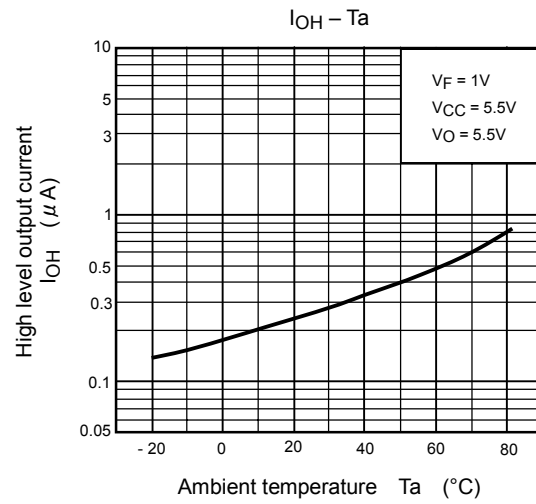
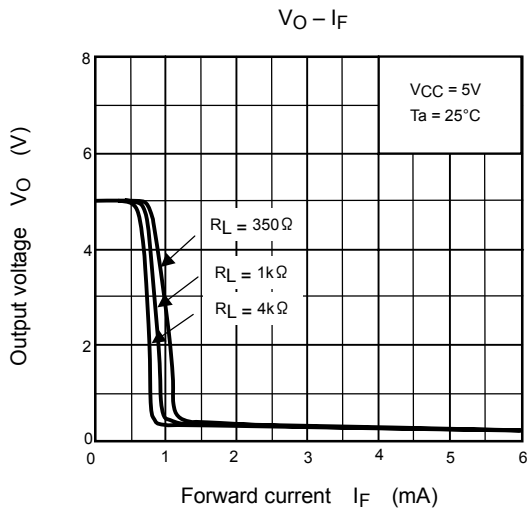
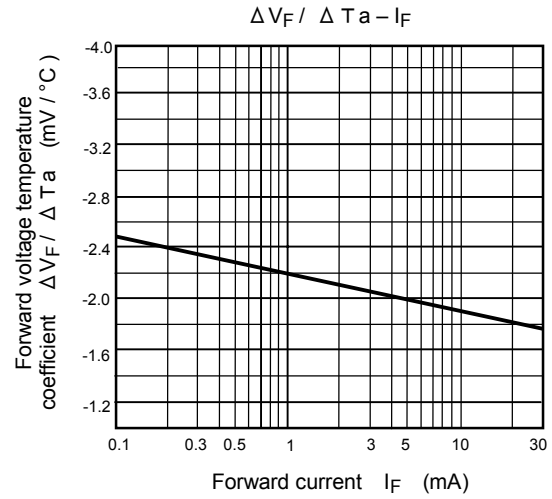
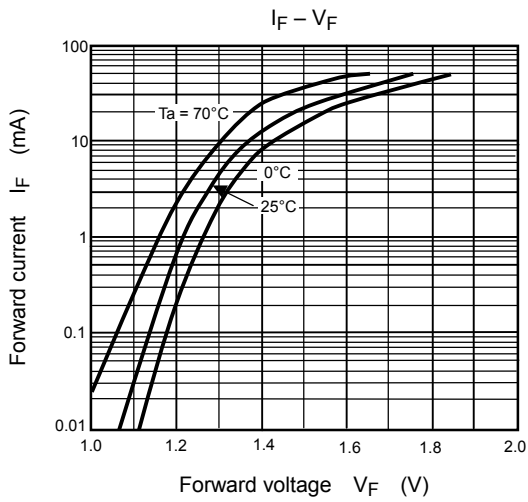
C<sub>L</sub> is approximately 15pF which includes probe and stray wiring capacitance.

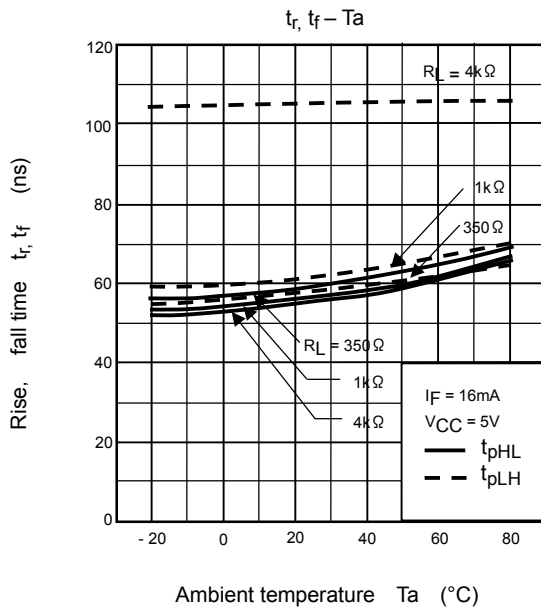
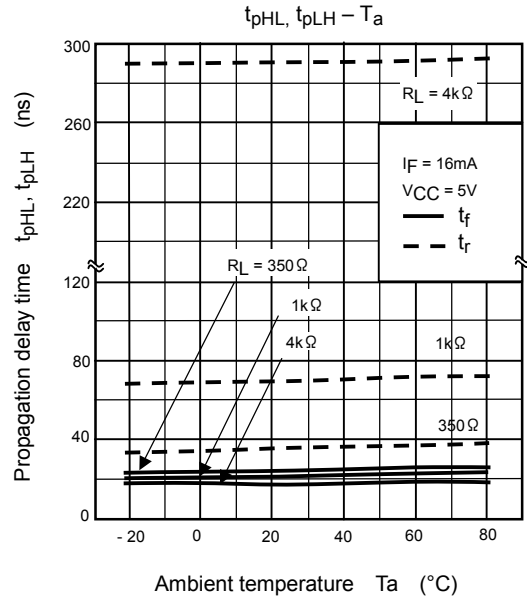
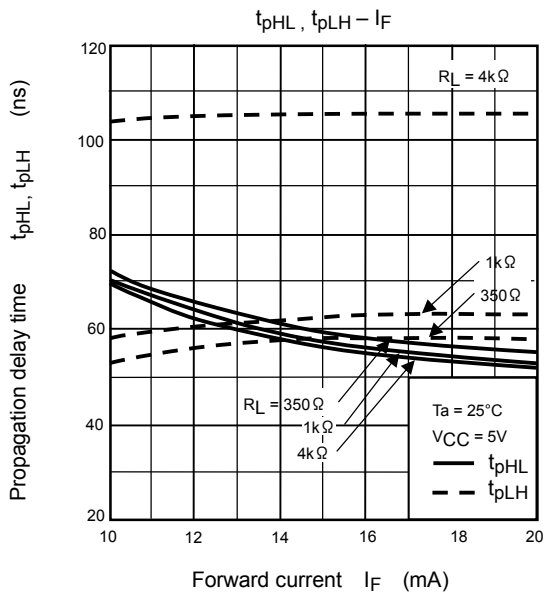
**Test Circuit 2: Common Mode Transient Immunity Test Circuit**



$$CM_H = \frac{320 \text{ (V)}}{t_r \text{ (}\mu\text{s)}}, CM_L = \frac{320 \text{ (V)}}{t_f \text{ (}\mu\text{s)}}$$

C<sub>L</sub> is approximately 15pF which includes probe and stray wiring capacitance.





**RESTRICTIONS ON PRODUCT USE**

000707EBC

- TOSHIBA is continually working to improve the quality and reliability of its products. Nevertheless, semiconductor devices in general can malfunction or fail due to their inherent electrical sensitivity and vulnerability to physical stress. It is the responsibility of the buyer, when utilizing TOSHIBA products, to comply with the standards of safety in making a safe design for the entire system, and to avoid situations in which a malfunction or failure of such TOSHIBA products could cause loss of human life, bodily injury or damage to property.  
In developing your designs, please ensure that TOSHIBA products are used within specified operating ranges as set forth in the most recent TOSHIBA products specifications. Also, please keep in mind the precautions and conditions set forth in the "Handling Guide for Semiconductor Devices," or "TOSHIBA Semiconductor Reliability Handbook" etc..
- The TOSHIBA products listed in this document are intended for usage in general electronics applications (computer, personal equipment, office equipment, measuring equipment, industrial robotics, domestic appliances, etc.). These TOSHIBA products are neither intended nor warranted for usage in equipment that requires extraordinarily high quality and/or reliability or a malfunction or failure of which may cause loss of human life or bodily injury ("Unintended Usage"). Unintended Usage include atomic energy control instruments, airplane or spaceship instruments, transportation instruments, traffic signal instruments, combustion control instruments, medical instruments, all types of safety devices, etc.. Unintended Usage of TOSHIBA products listed in this document shall be made at the customer's own risk.
- Gallium arsenide (GaAs) is a substance used in the products described in this document. GaAs dust and fumes are toxic. Do not break, cut or pulverize the product, or use chemicals to dissolve them. When disposing of the products, follow the appropriate regulations. Do not dispose of the products with other industrial waste or with domestic garbage.
- The products described in this document are subject to the foreign exchange and foreign trade laws.
- The information contained herein is presented only as a guide for the applications of our products. No responsibility is assumed by TOSHIBA CORPORATION for any infringements of intellectual property or other rights of the third parties which may result from its use. No license is granted by implication or otherwise under any intellectual property or other rights of TOSHIBA CORPORATION or others.
- The information contained herein is subject to change without notice.