

(TLP721F)

OFFICE MACHINE.  
 SWITCHING POWER SUPPLY.

The TOSHIBA TLP721F consists of a photo-transistor optically coupled to a gallium arsenide infrared emitting diode in a four lead plastic DIP package.

All parameters are tested to the specification of TLP721.  
 (both condition and limits)

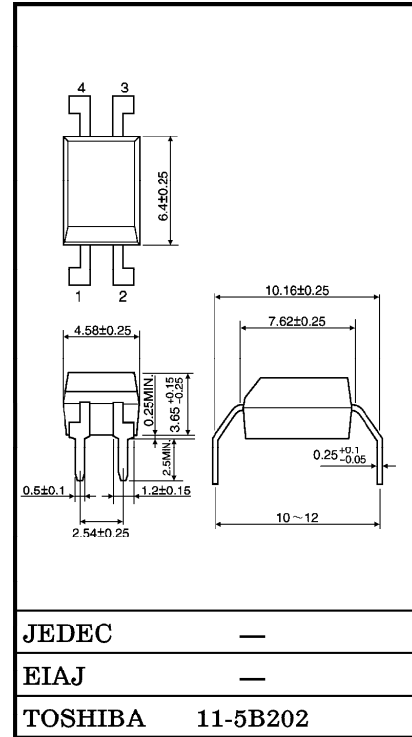
- Collector-Emitter Voltage : 55V (Min.)
- Current Transfer Ratio : 50% (Min.)  
 Rank GB : 100% (Min.)
- UL Recognized : UL1577, File No.E67349
- BSI Approved : BS415 : 1990, BS7002 : 1989(EN60950)  
 Certificate No.7364, 7365
- SEMKO Approved : SS4330784  
 Certificate 9325163
- Isolation Voltage : 4000Vrms (Min.)
- Option (D4) type  
 VDE Approved : DIN VDE0884 / 06.92,  
 Certificate No. 74285

Maximum Operating Insulation Voltage : 890V<sub>PK</sub>  
 Highest Permissible Over Voltage : 6000V<sub>PK</sub>

(Note) When a VDE0884 approved type is needed,  
 please designate the "Option (D4)"

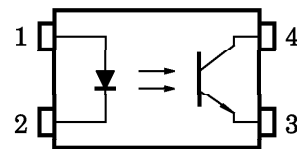
- Creepage Distance : 8.0mm (Min.)
- Clearance : 8.0mm (Min.)
- Internal Creepage Path : 4.0mm (Min.)
- Insulation Thickness : 0.5mm (Min.)
- Conforming Safety Standards :  
 DIN 57 804.VDE0804 / 1.83  
 DIN IEC65 / VDE0860 / 8.81  
 DIN IEC380 / VDE0806 / 8.81  
 DIN IEC435 / VDE0805 / Draft Nov.84  
 DIN IEC601T1 / VDE0750T1 / 5.82  
 BS7002 : 1989 (EN60950)

Unit in mm



Weight : 0.28g

PIN CONFIGURATION (TOP VIEW)



1. ANODE
2. CATHODE
3. EMITTER
4. COLLECTOR

© The information contained herein is presented only as a guide for the applications of our products. No responsibility is assumed by TOSHIBA CORPORATION for any infringements of intellectual property or other rights of the third parties which may result from its use. No license is granted by implication or otherwise under any intellectual property or other rights of TOSHIBA CORPORATION or others.

© These TOSHIBA products are intended for use in general commercial applications (office equipment, communication equipment, measuring equipment, domestic appliances, etc.). please make sure that you consult with us before you use these TOSHIBA products in equipment which requires extraordinarily high quality and/or reliability, and in equipment which may involve life threatening or critical application, including but not limited to such uses as atomic energy control, airplane or spaceship instrumentation, traffic signals, medical instrumentation, combustion control, all types of safety devices, etc. TOSHIBA cannot accept and hereby disclaims liability for any damage which may occur in case the TOSHIBA products are used in such equipment or applications without prior consultation with TOSHIBA.

①